



I-max

2D/3D/CEPH PANORAMIC UNITS

THE FUTURE RIGHT HERE IN YOUR SURGERY!



THE LIGHTEST UNIT ON THE MARKET

Sporting a sleek, sophisticated and lightweight design, the I-Max panoramic range will prove an attractive and valuable asset for your clinic.

With the 2D version weighing just **62kg**, the I-Max is the **lightest panoramic unit on the market**.



EXCEPTIONAL IMAGE QUALITY

Use the I-Max to carry out all the examinations you'll ever need in your practice, and enjoy **ultra-high definition** images in every X-Ray.

You'll be able to view all clinical and anatomical details with maximum **precision**.





FACE-TO-FACE POSITIONING

The I-Max features lasers and temple clamps for **face-to-face** positioning, the **easiest** and **most effective** way for your patient to be examined.



INNOVATIVE TECHNOLOGY WITH YOUR BUDGET UNDER CONTROL



TAKES UP ZERO FLOOR SPACE

The revolutionary **wall-mount concept** makes the I-Max and I-Max 3D quick and **easy to install**. What's more, it means that you **lose absolutely no floor space**. It couldn't be easier to position your patients!



INTUITIVE INTERFACE

Another of the I-Max's unique features is its **intuitive and user-friendly** interface. Its imaging tools and enhancing filters are automatically integrated into the control software.





SOFTWARE COMPATIBILITY

Products in the I-Max range are **compatible with all major management software packages on the market.**



THE BEST PERFORMANCE/INVESTMENT RATIO

The I-Max range is considered to offer **the best Investment/Performance ratio**, with lower purchase, delivery and installation costs and easier maintenance.



THE 2D PANORAMIC UNIT THAT ADAPTS TO MEET YOUR NEEDS

I-MAX



62
KG

COMPACT AND LIGHTWEIGHT

Opt for the **best technology** taking up the **least space**.

Walk around your surgery freely with this highly compact I-Max panoramic unit weighing just 62kg and devised in line with a "zero floor space" concept.

2D
x24

24 2D PROGRAMMES

The I-Max is very **intuitive** and **easy to use**. With 24 different 2D programmes, it is perfectly designed to meet all your requirements.





A CONTROLLED BUDGET

Its **reliability and affordability** have made the I-Max a success story ever since its launch. So, treat yourself to the cutting edge of panoramic units without losing **control of your finances!**



Panoramic examinations for adults

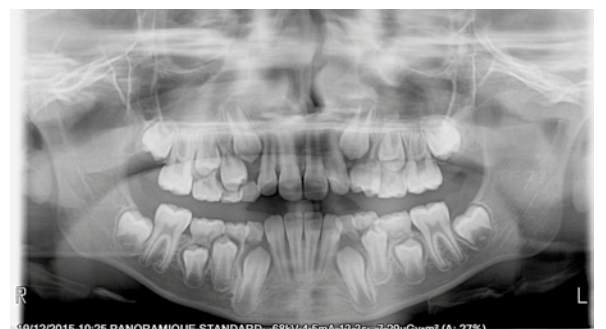


FANCY A CHANGE?

The I-Max panoramic unit **adapts to suit you and your particular requirements** at any time. Switch between the 2D classic to a 2D/3D Cone Beam version whenever you need to!



Reduced dose panoramic examinations



Panoramic examinations for children

NOW EVERYONE CAN DO 3D IMAGING!

I-MAX^{3D}



MULTI FOV

- 12 x 10cm: complete dentition with **condyles*** (implantology)
- 9 x 9cm: complete dentition (implantology)
- 9 x 5cm: full arch
- 5 x 5cm: sectorial volume (endodontic)

* optional



12 x 10 cm



9 x 9 cm



9 x 5 cm



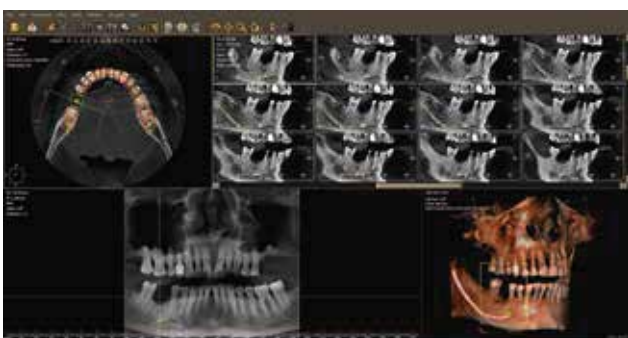
5 x 5 cm



EXCEPTIONAL IMAGE QUALITY

Enjoy a wide range of programmes in **excellent resolution**, right up to 87µm!

As an added feature, the **ultra-sensitive sensor**, coupled with an **extremely short exposure time**, helps to considerably reduce X-Ray dose emissions.





OBJECT SCANNING

You can scan 3D models to help you set up a care protocol for your patients and make surgical procedures easier.



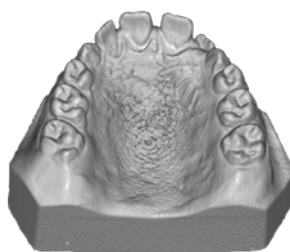
CAD CAM READY

It's easy to import and export scans of impressions, plaster models and radiological guides.

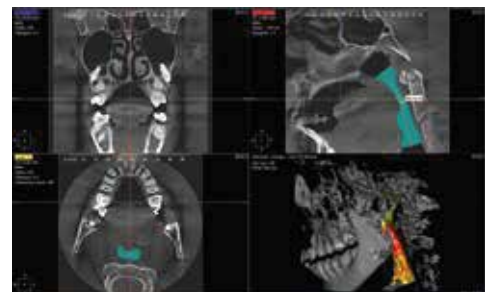


18 3D PROGRAMMES

- Complete dental volume & condyles (optional)
- Complete dental volume
- Left / right TMJ
- Sinus
- Maxillary volume / Mandibular volume
- Frontal maxillary
- Left / right maxillary premolar
- Left / right maxillary molar
- Frontal mandibular
- Left / right mandibular premolar
- Left / right mandibular molar
- Airways



Sinus



Airways

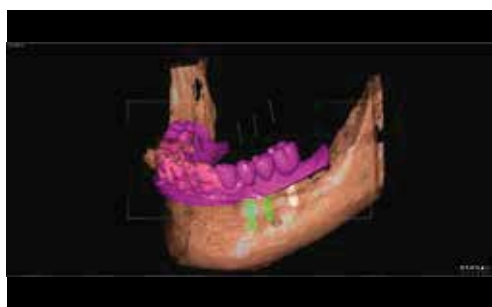


F.O.V 12 x 10 cm



FULLY COMPREHENSIVE 3D SOFTWARE WITHIN EASY REACH!

QuickVision 3D



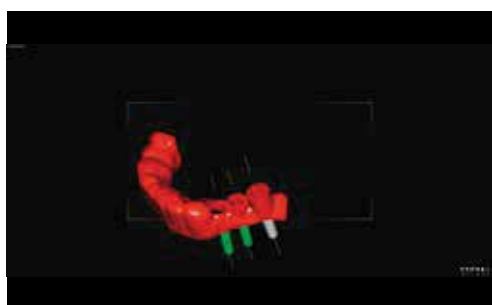
SAFER IMPLANTOLOGY

QuickVision 3D is a **comprehensive** software package that can be used to **simulate implant placement** on 2D and 3D models. You can also **import STL files** from your laboratory and your dental impression camera.



SURGICAL GUIDES

Make **ready-to-print** surgical guides in a flash!
You can also insert implants quickly and safely for both totally and partially toothless patients.



Surgical guide



EASY TO USE

QuickVision 3D is both **straightforward and intuitive to use**. It will prove to be your most trusted partner for quicker, safer and more effective prosthetic implant dentistry. Your DICOM images can also be easily embedded into all major 3D software packages on the market.



COMMUNICATING WITH YOUR PATIENTS HAS NEVER BEEN EASIER!

QuickVision 3D can be used to import .PLY and .OBJ files, and to link them to the corresponding 3D volumes.

As well as **increasing patients' confidence in your expertise**, the I-Max enables them to visualise the situation, making it easier to accept the treatment plan offered.



AT LAST AN ULTRA-COMPACT CEPHALOMETRIC UNIT FOR EVERY DENTAL SURGERY!

I-MAX CEPH



EXCEPTIONAL QUALITY IMAGES

The I-Max Ceph features a **latest-generation CMOS sensor** for high definition images. Its **Short Scan** technology can be used to take images in record time!



THE MOST COMPACT CEPHALOMETRIC UNIT

Taking up **minimal space (185cm)**, the I-Max Ceph can be easily fitted in all surgeries. It is delivered assembled and requires **just one person to install it**.

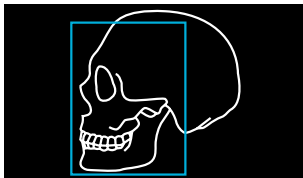




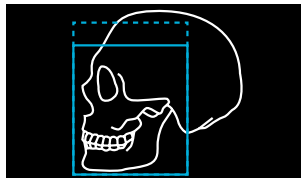
LOW DOSE

An intelligent cephalometric unit, the I-Max Ceph adapts to suit your needs and offers a range of low dose programmes for your youngest patients.

Lateral view
18 x 24 cm



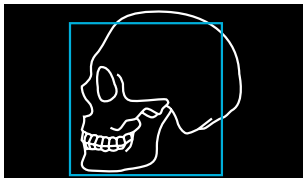
Lateral view 18 x 18 cm
(low dose)



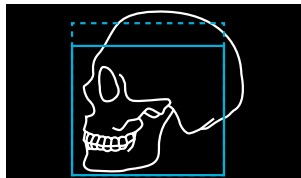
Frontal view
24 x 24 cm



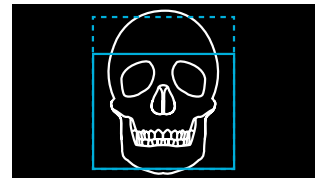
Lateral view
24 x 24 cm



Lateral view 24 x 18 cm
(low dose)



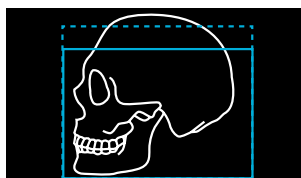
Frontal view 24 x 18 cm
(low dose)



Full skull lateral view
30 x 24 cm



Full skull lateral view
30 x 18 cm (low dose)

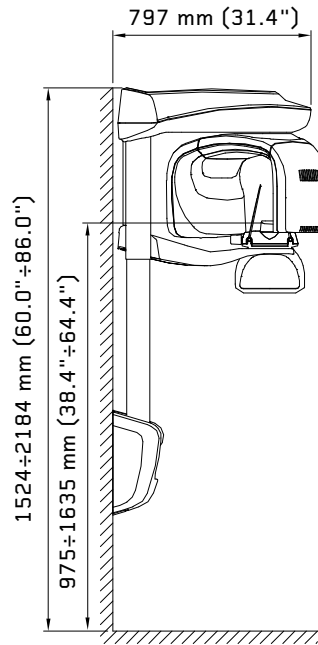
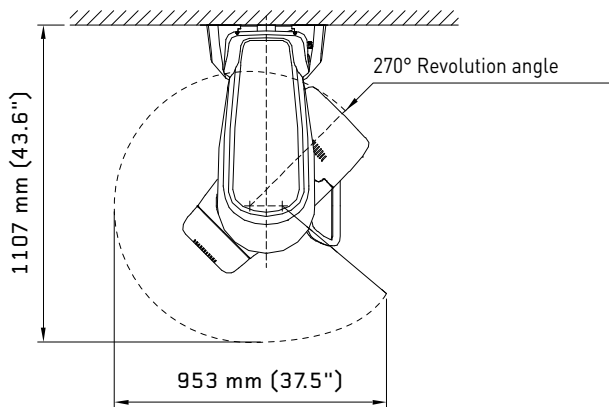


Carpus
18 x 24 cm

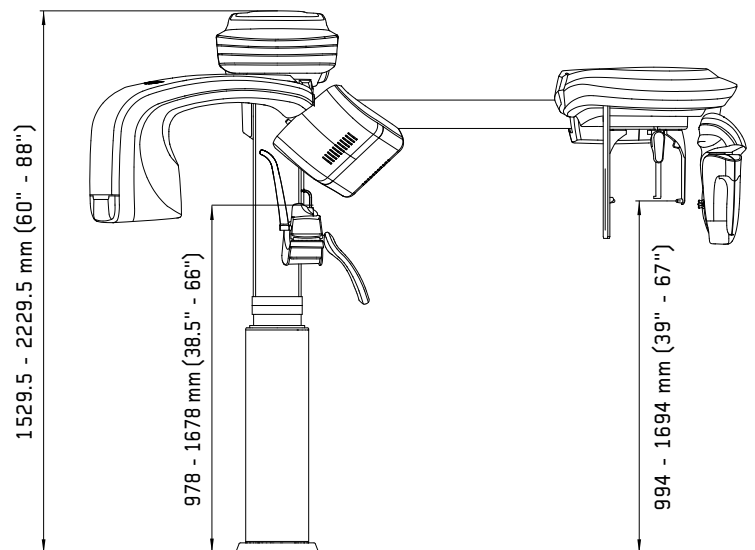
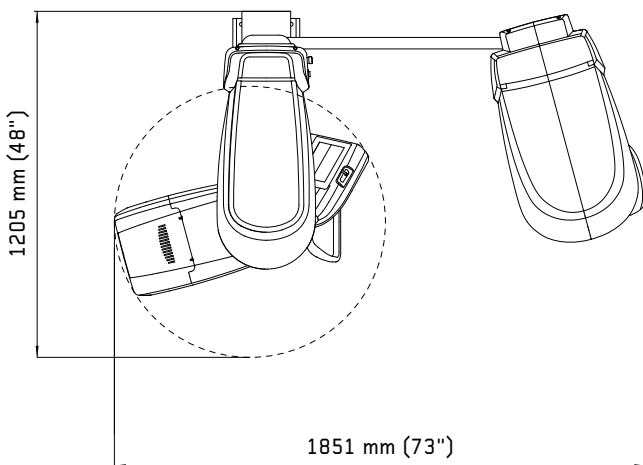


TECHNICAL FEATURES

I-MAX / I-MAX 3D



I-MAX CEPH / I-MAX CEPH 3D



	I-MAX	I-MAX CEPH	I-MAX 3D	I-MAX CEPH 3D
Category	II B / CE0051			
Power supply	110-120 V, 220-240 V at 50/60Hz			
Anode voltage	70 kVp \pm 8%	86 kVp \pm 8%		
Anode current	7,1 mA \pm 10%	12,5 mA \pm 10%		
SID (Source to Image Distance)	50 cm	52 cm (2D) 165 cm (Ceph)		
Total weight	62 Kg	120 Kg	66 Kg	125 Kg
Inherent filtration	2 mm Al eq. @ 70kVp	\geq 2,5 mm Al. eq @ 86kVp		
HF generator	Constant potential (DC)			
X-Ray focal spot	0,5 mm EN 60336			
Connection	LAN, Ethernet (without dedicated PC)		LAN Ethernet (dedicated PC)	
Voxel	n/a	n/a	87,5 μ m (min. cross-section depth)	
Exposure time	From 2,44 to 14,4 s (PAN adult/child)		From 3,20 to 14,4 s (2D) From 10,8 to 11,2 s (3D)	

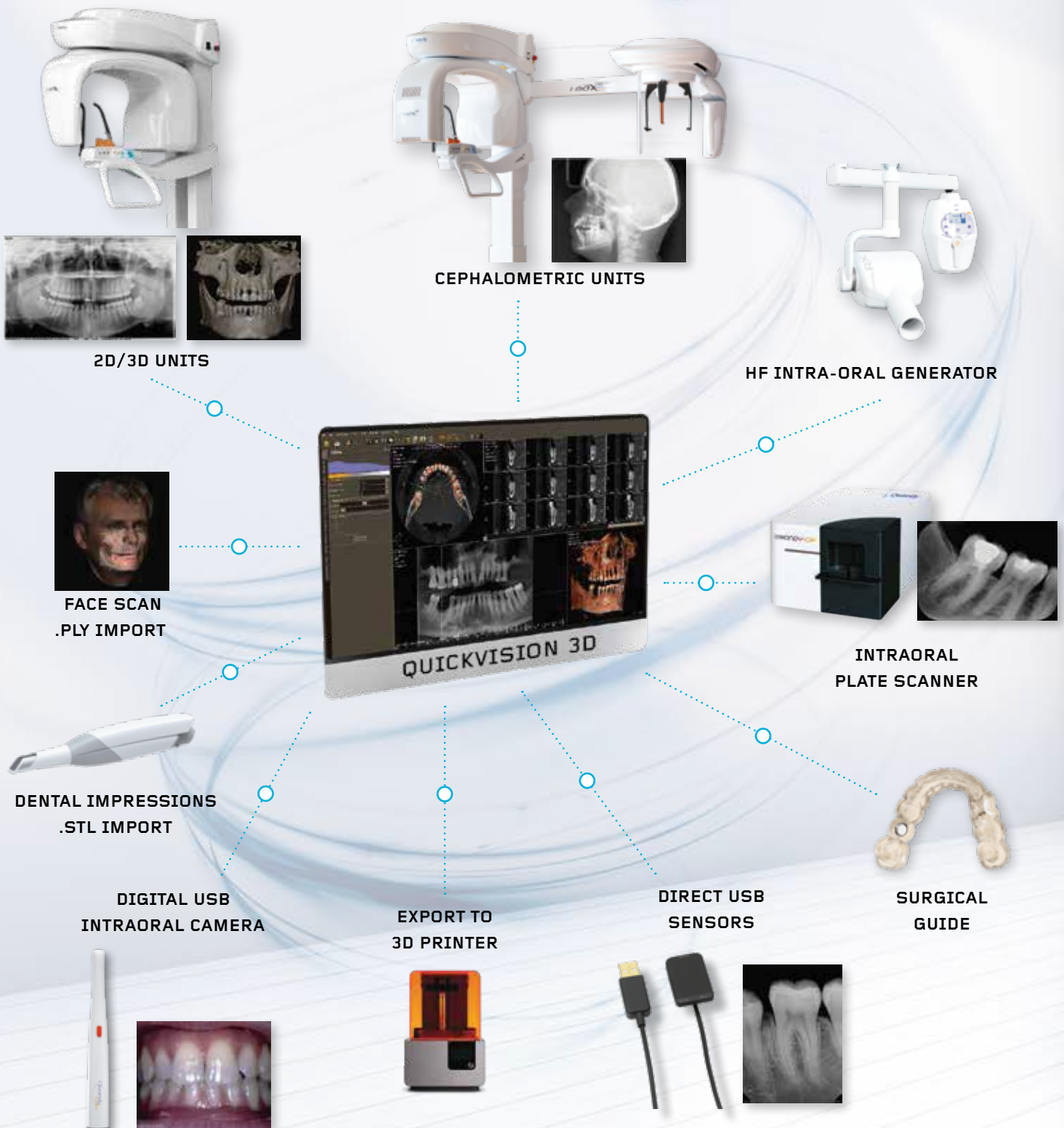


Optional wall column

	I-MAX	I-MAX CEPH	I-MAX 3D	I-MAX CEPH 3D
Panoramic	■	■	■	■
Cephalometric		■		■
3D cone beam			■	■
FOV			12x10, 9x9, 9x5, 5x5 cm	12x10, 9x9, 9x5, 5x5 cm
Fitting type	Wall	Floor + wall	Wall	Floor + wall
Options	- Floor base plate - Wall column	- Floor base plate	- Floor base plate - Wall column	- Floor base plate

DIGITAL WORKFLOW OWANDY RADIOLOGY

A COMPREHENSIVE RANGE TO MEET ALL YOUR REQUIREMENTS



BR_IMAXCEPH_EN_Rev00

