

GENERAL RADIOGRAPHIC SYSTEM

EZy-Rad Pro

EFX Version

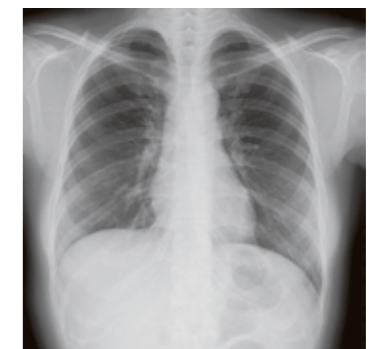


Friendly Functions and Intelligence You Can Trust



GENERAL RADIOGRAPHIC SYSTEM EZy-Rad Pro EFX Version

The highly regarded EZy-Rad Pro diagnostic radiography system features a compact design that allows installation even in tight spaces combined with easy operability. Shimadzu's unique one-touch guide enables users to easily navigate operations not only for setting X-ray parameters, but also for specifying other information required for radiography, such as exposure distance and whether or not a grid is required. The system is also designed to minimize exposure dose levels. The system's user-friendly operations and patient-friendly functions are sure to satisfy all the demands of a medical practice.





Remote Lamp Illumination Function

The exposure field lamp can be illuminated using a hand switch. Illuminating the exposure field from the control room immediately before starting the exposure provides extra peace of mind when performing radiography. In addition, extra illumination from a bright LED light source makes it easier to confirm the exposure field from a distance.

The new LED lamp consumes less energy, is brighter, and lasts longer than the previous model.

Design Concept Pursues Durability

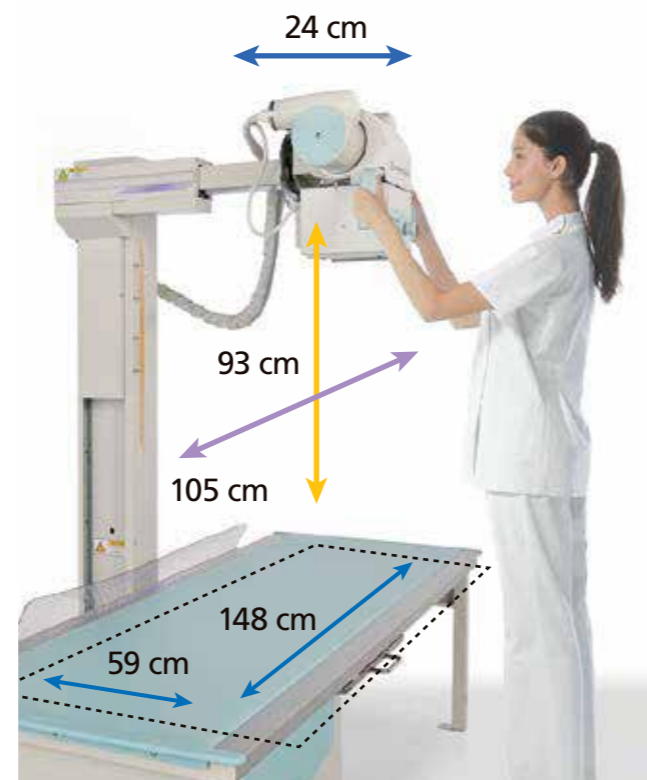
The tabletop supports up to 200 kg providing safety during examinations of large patients.

Wide Transverse Coverage for Orthopedic Radiography (M-Pack and MH-Pack only)

Smoothly perform radiography of arm and leg joints, thanks to an X-ray tube arm design that allows easy forward and backward positioning. X-ray focus points can be set near the patient, when hand or elbow joint radiography is performed from the front of the table, allowing the patient to enjoy a relaxed, natural posture. Easy positioning allows leg and foot joint radiography to be performed without requiring the patient to turn left or right.



(M-Pack and MH-Pack only)

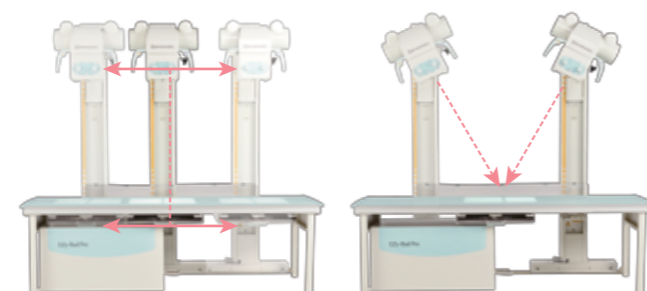


(M-Pack and MH-Pack only)

Linked Cassette Function

The cassette tray is linked to the longitudinal movement of the X-ray tube, thus ensuring the correct alignment of the cassette with the X-ray tube focus point. The link can be easily disconnected to enable oblique projection as well.

Note: The cassette tray cannot be moved in the transverse axis direction.



New Functions Unique to EZy-Rad Pro That Reflect the Emphasis on Dose Management

Exposure Dose Notification Function

This function displays the exposure dose calculated from the movable collimator aperture and exposure parameter settings.



Grid Attachment / Detachment Function

For children and other cases, the grid may be removed, thereby reducing exposure dose to the patient.



Intelligent and Friendly Functions

One-Touch Guide to Navigate Radiography Preparation

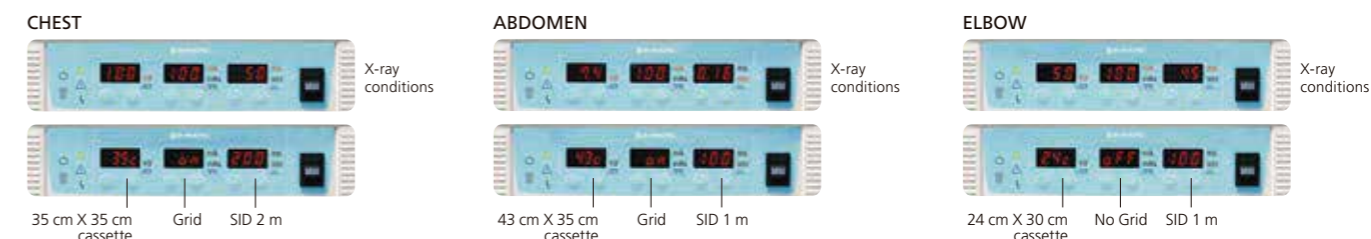
Optimal radiography parameters can be configured quickly based on a combination of the region of the body exposed, exposure direction, radiography mode, and body thickness. In addition, for each region of the body, the console displays the exposure distance, exposure size, whether or not a grid is required, and whether or not a filter is required. This ensures that operators can confidently prepare the system for radiography, even for parts of the body where they have less experience.

Example of Using the One-Touch Guide

After pressing the "Chest" button on the console to display X-ray parameters, pressing the "Chest" button again displays information necessary for radiography. Similarly, press the "Abdomen" button for radiography of the abdomen.

(Cassette size display is selectable, cm / inch.)

Confirmed with Display



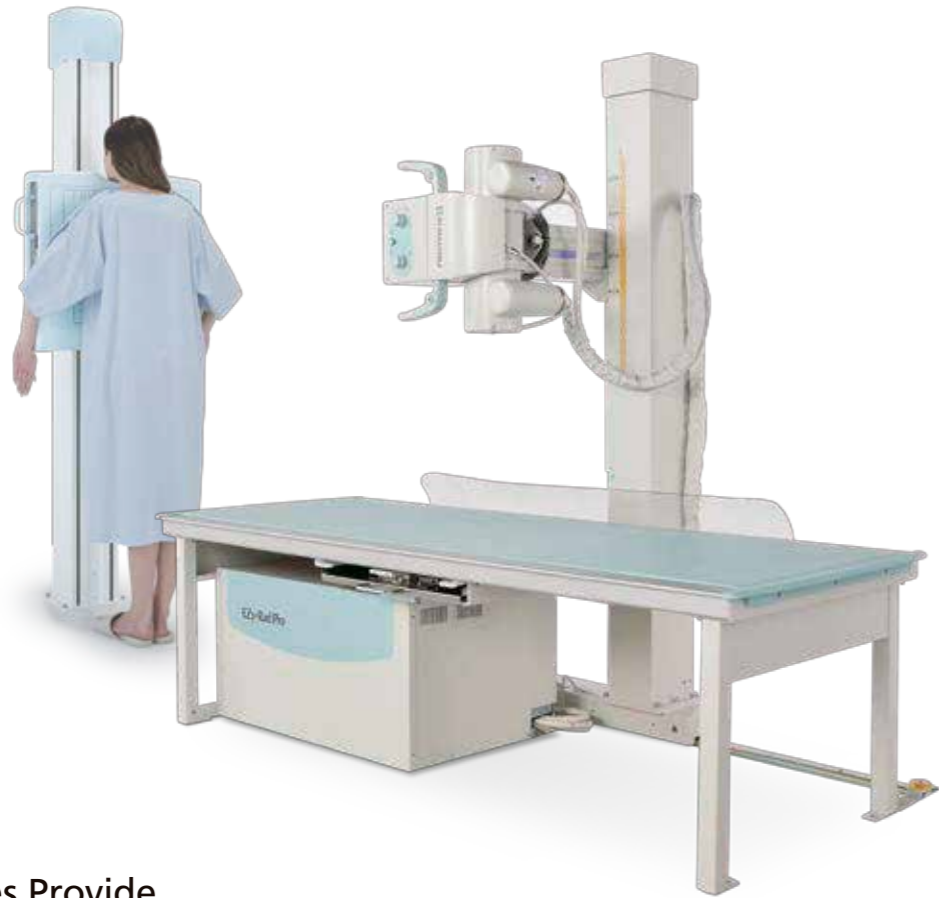
Easy-to-Set 432 Anatomical Programs

The ultra compact console is an example of Shimadzu's leading-edge technology. It is designed to save space while providing an operator-friendly interface. Standard features include the 432 productivity-boosting anatomical programs. Entering and changing exposure parameters in these programs is straight-forward and easy. Additionally, automatic exposure control (AEC) and phototimer sensitivity selection are available as optional features.

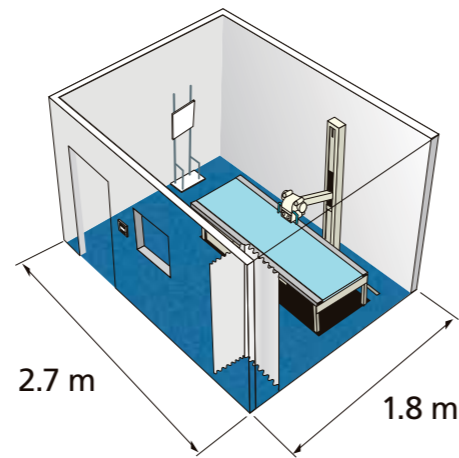


Product Lineup

M-Pack and MH-Pack



Example of Minimum Installation Space



Clear Images Provide High-Quality Diagnosis

A design based on a 60 kHz high-frequency inverter, high-voltage generator and 140 kHU high-capacity X-ray tube unit allows short, high-current exposures to be made. This produces sharp images, regardless of patient movement.

High output	High current determines image quality	High mAs - for all types of patients
20 kW	250 mA	320 mAs
A-Pack, AH-Pack S-Pack, SH-Pack	16 kW 200 mA	MH-Pack, AH-Pack SH-Pack (200 mAs optional)

Low Power Requirement (1.5 kVA) (AH-Pack, MH-Pack, and SH-Pack)

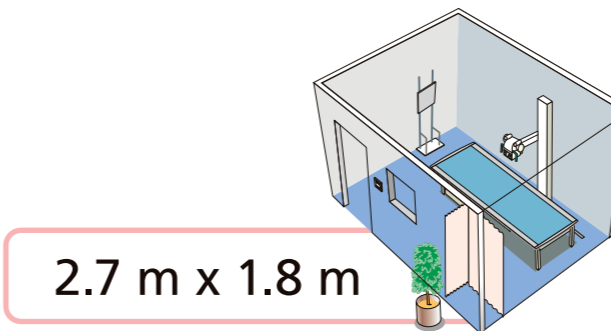
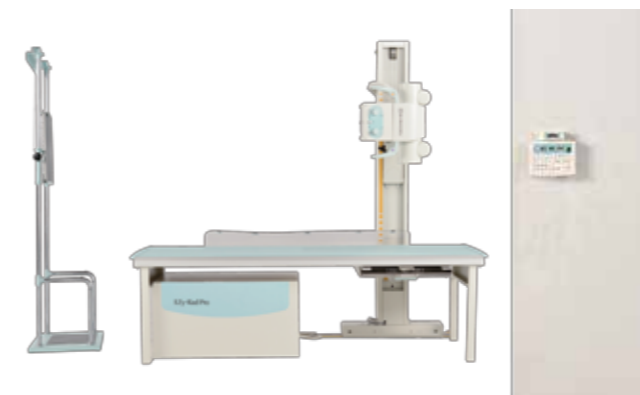
Accommodating a variety of locations, the Ezy-Rad Pro AH-Pack, SH-Pack, and MH-Pack can be operated using only a 1.5 kVA power source. No special power contracts or expensive transformers are required.

DR Ready Scalable Platform

The Ezy-Rad Pro can be upgraded to a digital system suited to your expansion plans. This system is scalable at any time in accordance with your budget.



A-Pack and AH-Pack



Compact Size

With the generator tucked under the examination table and no requirement for wall or ceiling supports, the Ezy-Rad Pro requires a floor area of only 2.7 m x 1.8 m as the minimum space.

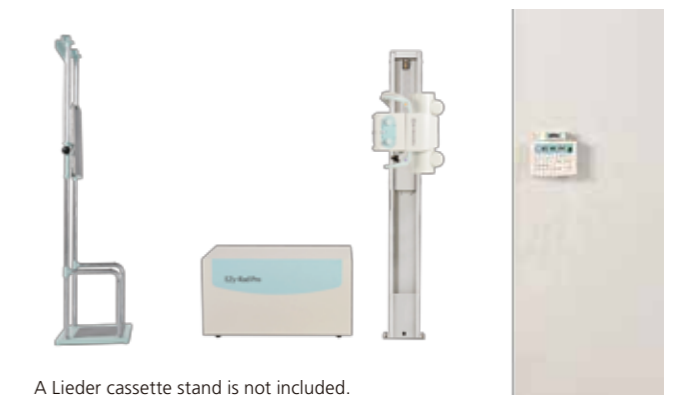
Options

Bucky Stand BR-120M

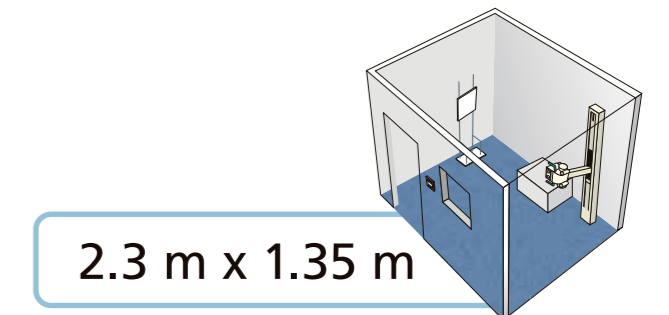


Note: A Lieder cassette stand is not included. Rails do not have to be fixed to walls. Units can be delivered through 70 cm wide entrance.

S-Pack and SH-Pack



A Lieder cassette stand is not included.



Patient-Comfort Soft Table Top

The soft table top is selectable as an option. The table surface is covered with a soft synthetic leather mattress to improve patient comfort for longer procedures.



Founded in 1875, Shimadzu Corporation, a leader in the development of advanced technologies, has a distinguished history of innovation built on the foundation of contributing to society through science and technology. We maintain a global network of sales, service, technical support and applications centers on six continents, and have established long-term relationships with a host of highly trained distributors located in over 100 countries. For information about Shimadzu, and to contact your local office, please visit our Web site at www.shimadzu.com



Shimadzu Corporation

Headquarters

1, Nishinokyo-Kuwabara-cho, Nakagyo-ku, Kyoto 604-8511, Japan
<http://www.shimadzu.com>



Shimadzu Corporation Medical Systems Division has been certified by TÜV Rheinland as a manufacturer of medical systems in compliance with ISO9001:2008 Quality Management Systems and ISO13485:2003 Medical Devices Quality Management Systems.

Remarks:

- Every value in this catalogue is a standard value, and it may vary a little from the actual at each site.
- The appearances and specifications are subject to change for reasons of improvement without notice.
- Certain configurations may not be available pending regulatory clearance. Contact your Shimadzu representative for information on specific configurations.
- Before operating this system, you should first thoroughly review the Instruction Manual.