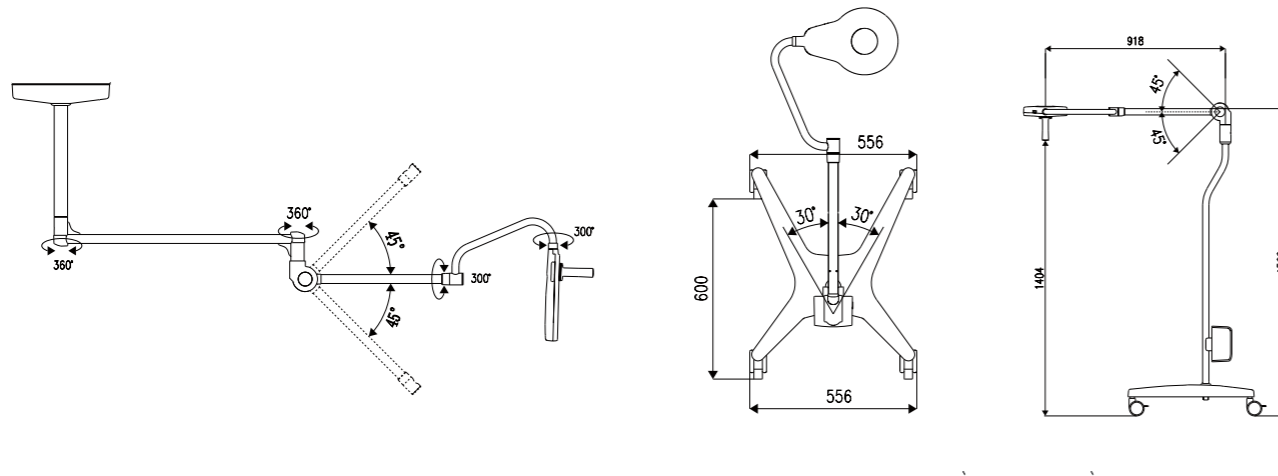


# Technical Specifications

	HyLED 200/200M
Central illuminance (at 1m distance)	70,000lux
Light field diameter(at 1m distance)	170mm
Depth of illumination (20%)	1,500mm
Depth of illumination (60%)	700mm
Color temperature	4,350K
Color rendering index (Ra)	96
Color rendering index (R9 )	96
Service life of bulb	≥60,000h
Optional battery supply duration	10 hours
Dimming range	10-100%
Number of LED bulbs	6
Max. power consumption of all light sources	28w
Light head dimension	230*330mm

## HyLED 200 Series LED Examination Light



# HyLED 200 Series

LED Examination Light

Mindray HyL ED 200 inherits the advanced technology from LED surgical light and shows excellent light performance: better light intensity, longer service life and lower power consumption.

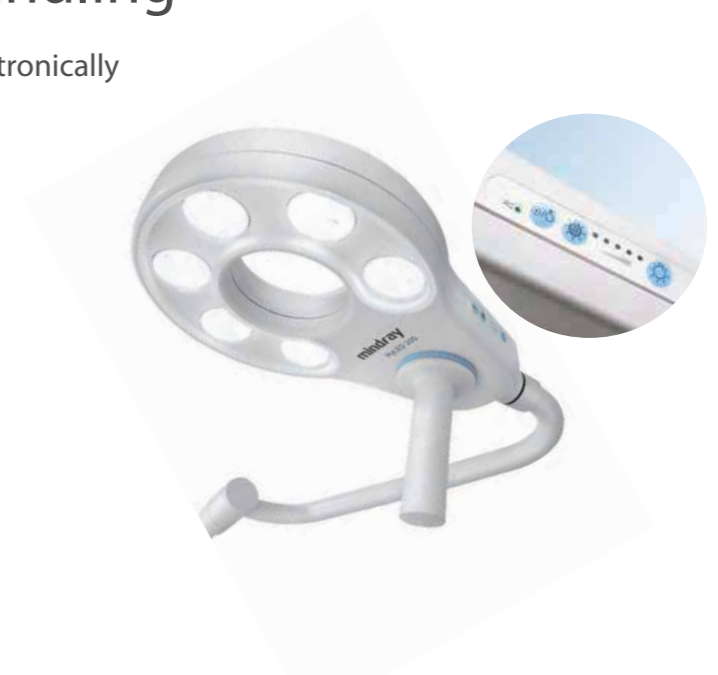
It is ideal for patient examination, ICU, outpatient, as well as OR-induction, treatment room and recovery areas.

70,000 lux illuminance with 1,500mm depth for the best possible visualization. Better tissue differentiation with color rendering index (Ra & R9) at 96. LED life of up to 60,000 hours and lower power consumption. Up to 10 hours battery (optional) duration at maximum intensity. Five-year warranty for LED bulb.

## Flexible and simple handling

The following features can be operated electronically using the control panel in the light head:

- On/off switching
- 5-step brightness control



## Various options for different clinical application



### Small clinics, ER and examination room

- Recommend with mobile light
- 4 universal 75mm casters, with foot brake



### ICU

- Recommend with pendant mounted light
- Rotation radius of up to 1.5m with maximum flexibility



### OR-induction, treatment

- room and recovery areas
- Recommend with ceiling or wall mounted light
- No need for reposition when establishing vein channel. Optional with sterilizable handle

