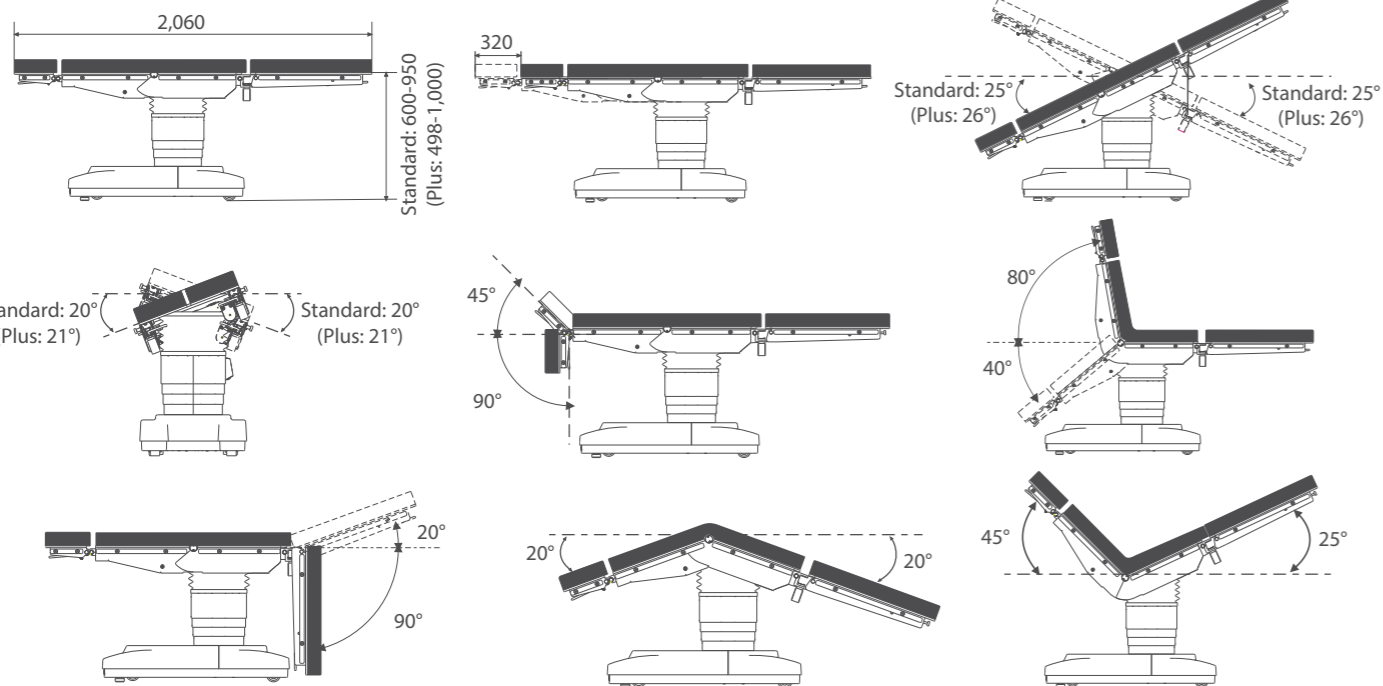


HyBase 6100

Technical Specifications

	HyBase 6100 Standard Configuration	HyBase 6100 Plus Configuration
Table length	2,060 mm	2,060 mm
Table width without side rails	520 mm	520 mm
Table width with side rails	590 mm	590 mm
Table height (without pad)	600–950 mm	498–1,000 mm
Longitudinal slide (optional)	320 mm	320 mm
Kidney bridge (optional)	120 mm	120 mm
Trendelenburg/Reverse Trendelenburg	25°/25°	26°/26°
Lateral tilt (left/right)	20°/20°	21°/21°
Head plate (up/down)	+45°/-90°	+45°/-90°
Back plate (up/down)	+80°/-40°	+80°/-40°
Leg plate (up/down)	+20°/-90°	+20°/-90°
Flex/Reflex	220°/110°	220°/110°
Max. lifting capacity	380 kg	380 kg
Max. safe working load	250 kg	275 kg



HyBase 6100 Operating Table



Mindray Building, Keji 12th Road South,
High-tech Industrial Park, Nanshan, Shenzhen 518057, P.R. China
Tel: +86 755 8188 8998 Fax: +86 755 26582680
E-mail: intl-market@mindray.com www.mindray.com

mindray | *healthcare within reach* are registered trademarks or trademarks owned by Shenzhen Mindray Bio-medical Electronics Co., LTD.
© 2014 Shenzhen Mindray Bio-Medical Electronics Co., Ltd. All rights reserved. Specifications subject to changes without prior notice.
P/N:ENG- HyBase 6100 -210285x12P-20170518



MEDVAL
healthcare

mindray
healthcare within reach

HyBase 6100

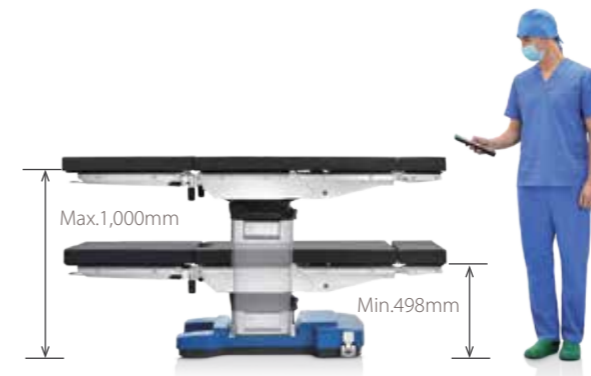
Electro-Hydraulic Operating Table



Providing a better clinical use's scenario, HyBase 6100 is designed with a much lower table height of 498mm specially for neurosurgery and minimally invasive surgery, a more user friendly base cover, as well as a more convenient wireless remote control system. Moreover, with longitudinal slide up to 320 mm, the table is ideally suitable for cardiovascular surgery or spinal surgery with C-arm. All in all, HyBase 6100 maximizes the flexibility of operating table's versatility.

- Longitudinal slide up to 320 mm for free access to C-arm
- Max. lifting capacity up to 380kg with highest safety and stability
- Max. safe working load 275kg in normal position
- Multi-layer decompression pad with waterproof and seamless design
- 498 mm lowest table position for Neurosurgery and Minimally Invasive Surgery
- Wireless remote control system
- Foot pump Manual Override System

Outstanding Versatility for All Surgeries



Lowest Table Height 498mm

With the need of minimally invasive surgery and neurosurgery, lowest table height becomes the key to providing a more comfortable and better ergonomic working environment for surgeons. HyBase 6100 with the lowest table height of 498mm makes it perfect for the MIS and neurosurgery.



Height Adjustment Up to 502mm

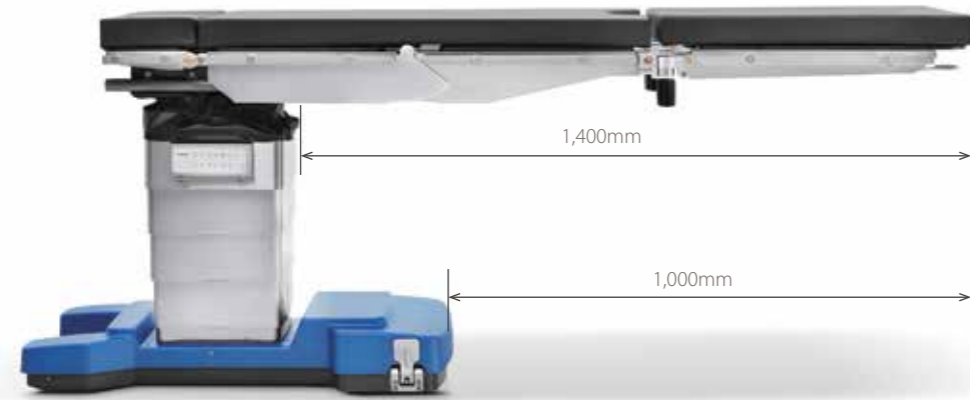
To maximize the flexibility, height adjustment up to 502mm makes it optimal for table's versatile positions, especially helpful for orthopedics surgeries, etc.



Built-in Kidney Bridge

HyBase 6100 provides a built-in kidney bridge(120mm) for kidney surgery.

Excellent C-arm Access for Imaging



Interchangeable Head Plate and Leg Plates

With interchangeable head plate and leg plates, the table top is able to maximum imaging space up to 1,400mm for cardiovascular or spinal surgery.

The whole table top is made from radiolucent material and without any metal cross-bar for radioscopy. What's more, the optional carbon fiber table top guarantees a better imaging solution.



Large Longitudinal Slide

With longitudinal slide up to 320 mm, HyBase 6100 enables optimum access to the C-arm without repositioning the patient for imaging purpose, ideally suitable for cardiovascular or spinal surgery.

Easy to Use



Wireless Remote Control

Wireless Remote control is available for HyBase 6100, making it more convenient to use wherever the users are.

Main table articulation movement is powered by electro-Hydraulic system, including break system, back plate up and down, tilt left and right, trendelenburg and reverse trendelenburg, table up and down, and table top sliding (for slide version)



One-Click Button Design

With convenient One-Click Button Design, it's easier to remove or assembly the head and leg plates.



More Space for Surgeons

The u shape design on base cover forms a larger space for surgeons while doing the operations, especially for gynecologic, urologic, etc.

Maximum Safety

Standard Built-in Battery and Backup Control System

With two standard built-in batteries, the table can support approximately 60 to 80 surgeries. There's also a backup control system on the column for emergency use.



Manual Override System

Manual Override System is easily access at any time and allows table articulation movements and release the break in the event of primary control or power malfunction. Manual operations of all basic electro-hydraulic functions can be actuated by using a foot pump combined with the hand control or column backup control panel.

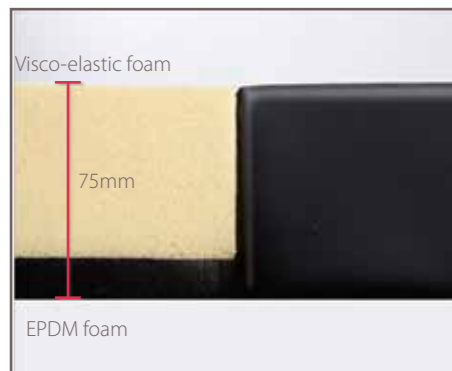


Step 1:
Turn the knob clockwise to enter the Manual Override System mode.

Step 2:
Step on foot pump and press the hand control simultaneously to start the articulation movements.

Multi-layer Decompression Pad

With the Special Foam Core pad and multi-layer design, HyBase 6100 provides excellent pressure distribution, significantly helping patients avoid the main cause of decubitus, reduce the rate of postoperative health risk. Meanwhile, the pad is waterproof and easy to clean as it's with ultrasonically-welded technology and GORE-TEX material.



Flexible Patient Positioning

Neurosurgery & ENT Surgery

With lowest table height of 498mm, the table provides a comfortable and ergonomic working environment for the surgeon, especially for Neurosurgery and ENT Surgery



Lowest table height with Skull Clamp (DORO) for Neurosurgery



Beach chair position for Neurosurgery



ENT surgery



Ophthalmology Surgery

Flexible Patient Positioning

Orthopedic and Trauma Surgery

Mindray provides complete solution for orthopedic and trauma patient positioning,



- 1 Orthopedic Surgery for lateral femoral extension
- 2 Orthopedic Surgery for tibia extension
- 3 Knee Arthroscopy Surgery
- 4 Knee Arthroscopy Surgery

Flexible Patient Positioning

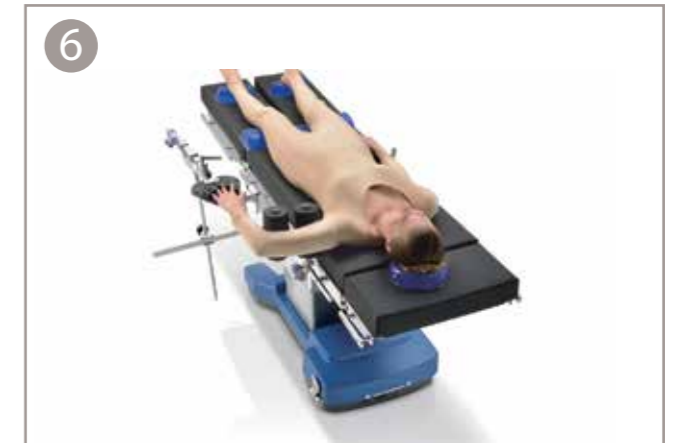
Orthopedic and Trauma Surgery



Spinal Surgery after table top sliding



Spinal Surgery after table top sliding and Interchanged head plate and leg plates



- 5 Upper arm Surgery
- 6 Forearm Surgery
- 7 Upper arm Surgery
- 8 Arm Surgery

Flexible Patient Positioning

Gynecology and Urology Surgery



The leg plate folded design helps avoiding the disassembly of the leg plate while surgeons operate the gynecology, urology, etc. surgeries. And the u shape design on base cover forms a larger space for surgeons while doing the operations.

Laparoscope Surgery

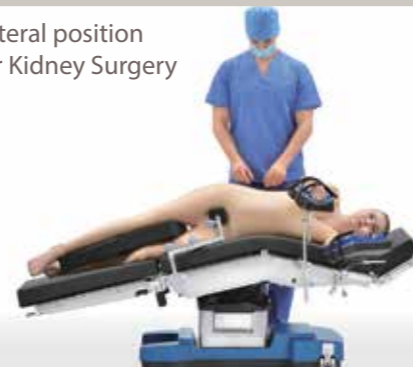


Proctology Surgery



Ergonomic lithotomy position with stirrups

Lateral position for Kidney Surgery



Struma Surgery



General Surgery



General Information

- Tabletop is divided into five sections: head plate, back plate, seat plate, and leg plates(two pieces)
- Tabletop is made of radio-translucent material for radiography.
- Entire table top is designed without metal crossbars for radiography during surgical interventions.
- Main frame for the seat plate and back plate, leg plate, head plate, and side rails is made of stainless steel (CrNi steel).
- Column cover is made of stainless steel (CrNi steel).
- Base is made of robust cast steel, grey-dyed with scratch resistant coating.
- Base cover is made of ABS plastic (optional base cover is made of stainless steel (CrNi steel)).
- Electro-hydraulic system adjustment for break system, back plate up and down, tilt left and right, trendelenburg and reverse trendelenburg, table up and down, and table top sliding (optional function), level position, flex and reflex position.
- Manual articulation mechanisms for adjustments of the head plate, leg plate and kidney bridge (optional function).
- Head plate and leg plate can be adjusted, attached and removable manually. Gas spring enables the adjustments of leg plates with less efforts.

Electrical data

- Two built-in batteries with capacity for at least one week while in use (60 to 80 operations)
- Optical indicator for low battery reminder
- Battery recharges from main power supply 100 – 240 V AC, 50 – 60 Hz

Configurations

	HyBase 6100 Standard Configuration	HyBase 6100 Plus Configuration
Table height (without pad)	Standard height: 600-950mm	Ultra-low height: 498mm-1,000mm
Longitudinal slide	Optional	Optional
Kidney bridge	Optional	Optional
Manual override	NO	Optional

HyBase 6100
Standard Configuration



HyBase 6100
Plus Configuration

